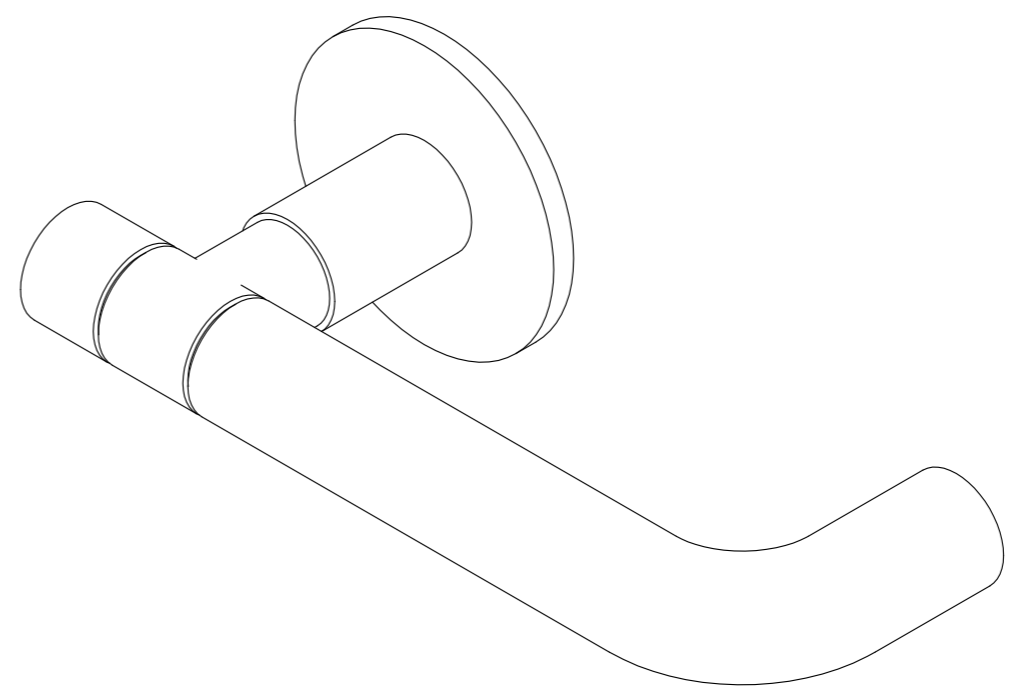
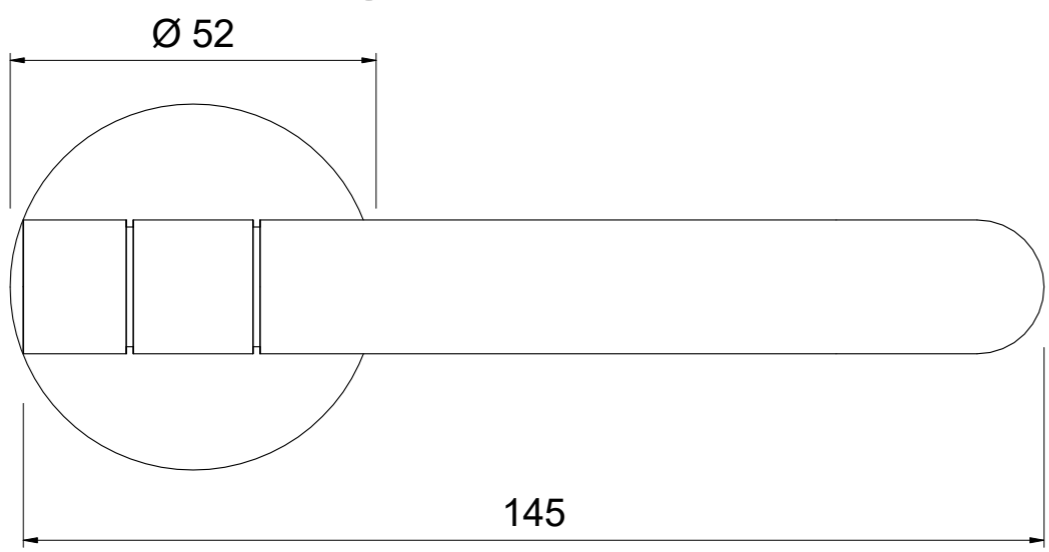


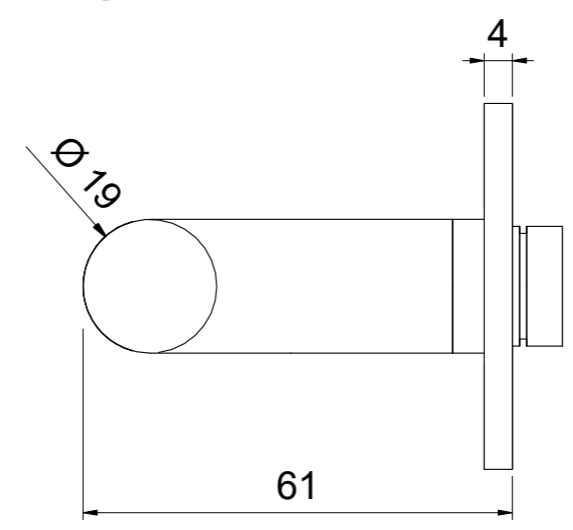
04 Top View
1:1



01 3D View



03 Front View
1:1



02 Side View
1:1

Rev	Date	Description	Initial
Title : KF-8106B/2112			
Contract : KCC Architectural			
Scales are as shown, original drawing size A3			
Creator : Ade			
Checked by : Denis			
Scale : N.T.S			
First issue : 06-09-2017			
Project No :			
DRG No :			Rev A

Lever Handle				
Item	Description	Material	Rose Type	Finish Options
KF-8106B/2112	Modus™ Return to Door Architectural Dual Texture Unsprung Solid Stainless Steel 316 Lever Handle on Rose	Grade 316 Stainless Steel	Unsprung Rose	SSS / PSS / Multiple PVD Variations

© This document is the property of KCC ARCHITECTURAL. Copyright is reserved by them, and the drawing is issued on the condition that it is not copied, reproduced or retained by, nor disclosed to an unauthorised person either wholly or in part, without the consent in writing from KCC ARCHITECTURAL. For the purposes of continual development, KCC reserves the right to change specifications and dimensions without notice. All dimensions are to be checked by the contractor on site before commencement of works. Do not scale from this drawing

The details and drawings on this template conform to the UK Governments 2016 BIM guidelines.